

Product data

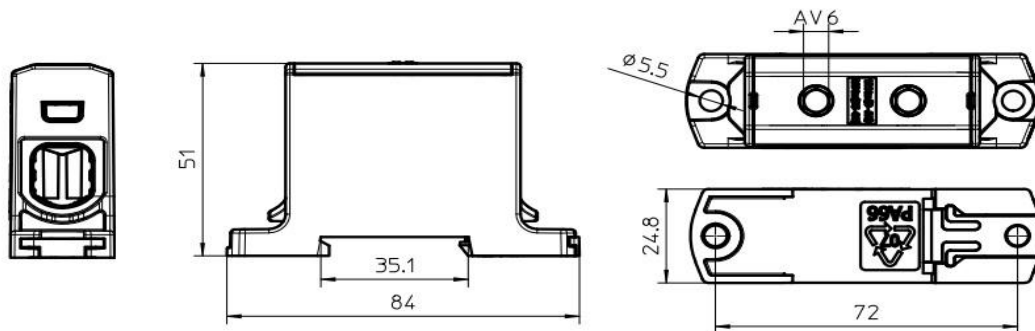
Product code	VC05-0050	STK-code	1914113	EAN-code	6410019141139
Product name	OTL-connector 1xAl/Cu 6-95mm ² (Blue)				
Wires	1xAl/Cu 6-95mm ²				

Technical data

Nominal current	Cu	245	A
	Al	220	A
Nominal voltage		1000	V
Max. Current (US)	Cu	-	A
	Al	-	A
Max. Voltage (US)		-	V
Number of pole		1	pcs
Max. Cross section		95	mm ²
Tightening torque	6-25 mm ²	12	Nm
	35-95 mm ²	22	Nm
	-	-	Nm
	-	-	Nm
Max. Operating temperature		80	°C
Weight		65	g
IP-protection		IP20	
Standards	EN 61238-1; EN60947-7-1		
Color/ Material-flame rating	Blue RAL 5015/ PA66-V0		
Mounting/ Connection	DIN-rail and screw (M5) mounting		


Description

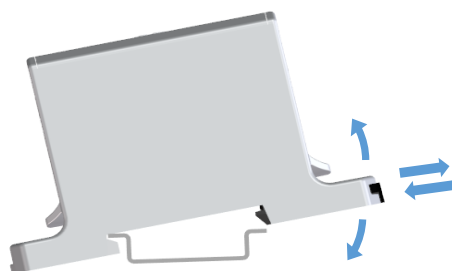
OTL-connectors are designed to be used connecting and branching aluminium and copper conductors. The body is made of tin plated aluminium.

Drawing

Package

Package	Box	Pcs / Package	10	Weight [kg]	0,75
Length [mm]	120	Width [mm]	130	Height [mm]	100

Product data								
Product code	Product name	I _{n Al}	I _{n Cu}	U _n	US specific			
					I _{max Al}	I _{max Cu}	U _{max}	
VC05-0019	OTL-connector 1xAl/Cu 6-95mm ² (Grey)	220 A	245 A	1000 V	-	-	-	-
VC05-0050	OTL-connector 1xAl/Cu 6-95mm ² (Blue)	220 A	245 A	1000 V	-	-	-	-
VC05-0051	OTL-connector 1xAl/Cu 6-95mm ² (Yellow/Green)	220 A	245 A	1000 V	-	-	-	-
VC05-0144	OTL-connector 1xAl/Cu 6-95mm ² (Red)	220 A	245 A	1000 V	-	-	-	-
VC05-0145	OTL-connector 1xAl/Cu 6-95mm ² (Black)	220 A	245 A	1000 V	-	-	-	-
VC05-0230	OTL-connector 1xAl/Cu 6-95mm ² (Brown)	220 A	245 A	1000 V	-	-	-	-

Installation


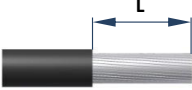
 Type **DIN-rail and screw (M5) mounting**


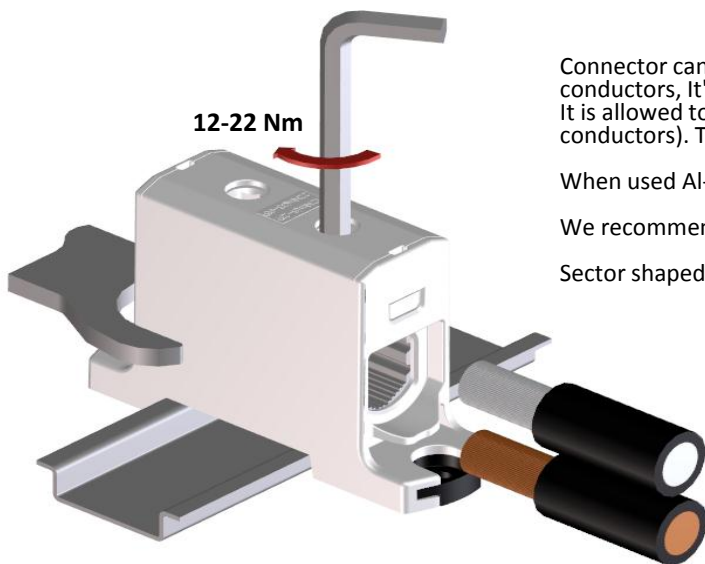
DIN-rail mounting
 Set the connector to DIN-rail.
 See picture. Push until "click"
Removing
 Release the slider and lift connector



Screw mounting
 Use max. Ø5 mm screw.
 See picture.


Connection

Screw	Thread	M14	Tightening torque	6-25 mm ²	12 Nm	Stripping length L	20 mm
	SW	6		35-95 mm ²	22 Nm		
				-	-		
				-	-		
			Max. wire cross section		95 mm²		


Installation

Connector can be used for both **copper- or aluminium conductors**. With the Al-conductors, it's recommended to use anti-corrosion paste. (e.g. Penetrox). It is allowed to use max. of three adjacent cross sections in one space (Copper conductors). The nominal max. cross section value must not be exceeded.

When used Al-conductors, it is allowed to use only one conductor/space.

We recommend a ferrule when using a fine-stranded conductor.

Sector shaped conductors must be pre-rounded before installation.

Each protective or neutral conductor must have their own conductor space. SFS 6000:2007 clause 810.7

Cross section and max. number of Cu- conductors / space (Al- conductors in parenthesis)

1,5 mm ²	2,5 mm ²	6 mm ²	10 mm ²	16 mm ²	25 mm ²	35 mm ²	50 mm ²	The specified max. amount of conductors refers only to industrially installed terminals.		
-	-	3 (1)	3 (1)	3 (1)	3 (1)	2 (1)	1 (1)			
			70 mm ²	95 mm ²	120 mm ²	150 mm ²	185 mm ²	240 mm ²	300 mm ²	400 mm ²
			1 (1)	1 (1)	-	-	-	-	-	-